

/foveal/home/mbianchi2/Varicad.d/mounts.d/CADalsap3_3patterns_final.dwb

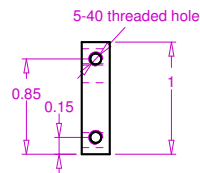
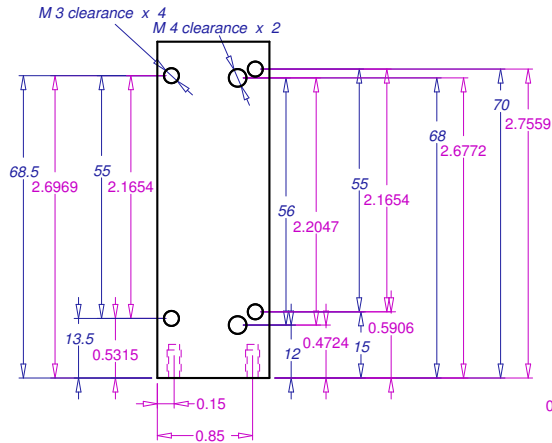
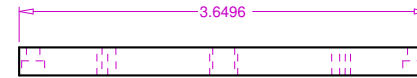
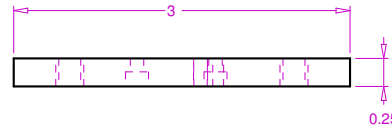
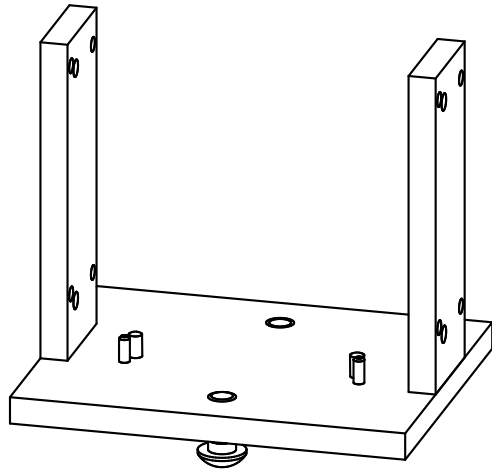
There are many configurations of the mounting holes on Dalsa cameras, even on those which share the same product names, like "Piranah". This Adapter has 3 mounting hole patterns that fit some Piranah models. Call us and we can discuss your needs.

Holds the camera firmly.

Allows for easy removal and replacement of the camera without disturbing the Pan, Tilt and Roll settings!

In some cases, minor tweaking of the settings may be necessary. Can be reconfigured and used with either the Dalsa P3-80 or P3-87 camera. But not all P3 models!

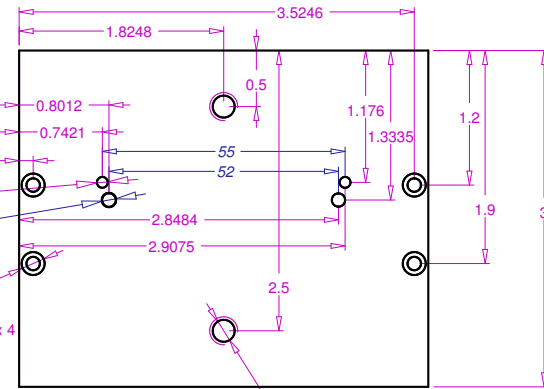
Please call before ordering!



Italic text == mm value
Roman text == inch value

3/32 x 1/2 inch dowel pin press fit x 2
1/8 x 1/2 inch dowel pin press fit x 2

5-40 socket cap screw counterbore x 4



1/4-20 threaded hole x 2

